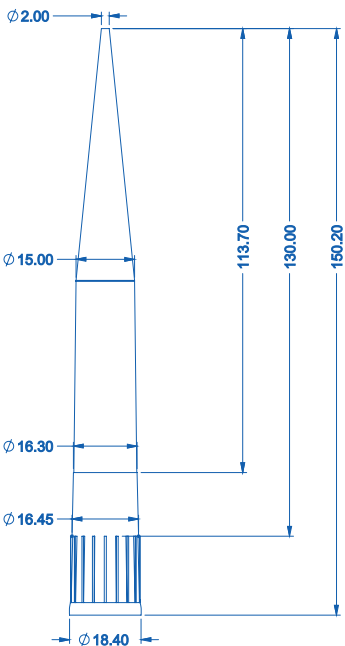
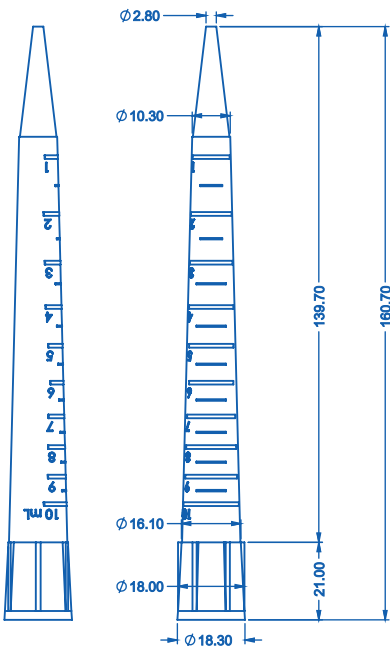


<b>Description</b>	<b>10ml Tips A Type</b>	<b>10ml Tips B Type</b>
<b>Maximum Volume</b>	<b>10000µl</b>	<b>10000µl</b>
<b>Graduation</b>	<b>NA</b>	<b>1000µl, 2000µl, 3000µl, 4000µl, 5000µl 6000µl, 7000µl, 8000µl, 9000µl, 10000µl</b>
<b>Material</b>	<b>Virgin Polypropylene</b>	<b>Virgin Polypropylene</b>
<b>Autoclavable</b>	<b>Yes</b>	<b>Yes</b>
<b>Certified RNase, DNase, DNA and Pyrogen free</b>	<b>Yes</b>	<b>Yes</b>

<b>Hazards Data</b>	<b>Health 0 Non-hazardous</b> <b>Flammability 1 Flammable (Class A fire)</b> <b>Reactivity 0 Non-reactive</b> *Consult the polymer MSDS for further information on potential hazards associated with this material.	
---------------------	--	--

<b>Production Standards &amp; Procedures</b>	Product is Produced under controlled environment. All personnel are capped, masked, gloved and gowned in the assembly area. Lot size is variable due to continuous molding process. This Product is manufactured to the following specifications: Magnified visual examination for flash (+0.02in).	
--	---	--

<b>Packaging</b>	<p align="center"><b>XB-10ML</b></p>  <p><b>Bulk</b> <b>Bulk-Sterile</b></p>	<p align="center"><b>XBE-10ML</b></p>  <p><b>Bulk</b> <b>Bulk-Sterile</b></p>
------------------	--	---

<b>Technical Drawing</b>	<p><b>Tips 10000 A</b></p> 	<p><b>Tips 10000 B</b></p> 
--------------------------	--	--

Order in:- AT-10000A, AT-10000B

Volume	Bulk	Sterile	Filter	Individually Wrapper
10000µl	<b>B</b>	<b>S</b>	<b>F</b>	<b>W</b>

B=Bulk, S=Sterile, F=Filter, W=Wrapped