

Product PN	FJ13BNPRC002AD01, FJ13BNPRC004AD01, FJ13BNPRC002AH01, FJ13BNPRC004AH01	Mod. 984
Description	13 mm ABLUO Syringe Filters w/Regenerated Cellulose (RC)	Rev. 02



13 mm ABLUO, Regenerated Cellulose (RC)

PRODUCT DESCRIPTION	Non-sterile 13 mm syringe filter made of Polypropylene housing, assembled with various pore sizes of Regenerated Cellulose (RC) Membrane						
	Membrane Material	Pore Size (um)	End Fitting	Color	Housing Material	Packaging	Product Code
	Regenerated Cellulose (RC)	0.20	FLL/MLS	Transparent	Polypropylene	500/pk	FJ13BNPRC002AD01
	Regenerated Cellulose (RC)	0.45	FLL/MLS	Transparent	Polypropylene	500/pk	FJ13BNPRC004AD01
	Regenerated Cellulose (RC)	0.20	FLL/MLS	Transparent	Polypropylene	100/pk	FJ13BNPRC002AH01
	Regenerated Cellulose (RC)	0.45	FLL/MLS	Transparent	Polypropylene	100/pk	FJ13BNPRC004AH01
MANUFACTURER NAME	GVS North America 63 Community Drive Sanford, Me 04073 Phone: +1.866.736.1250 eMail: CustomerCareGVSLs@gvs.com - Website: www.gvs.com						
INTENDED USE / APPLICATION	Applications <ul style="list-style-type: none"> • Filtration of Aqueous, Organic and Alcohol Solutions • Analytical Sample Preparation • IC Chromatography • Fuel Hydraulic Fluids and Machined Parts • Clarification • Protein Chemistry • Cell Culture 						
MATERIALS	Filter media: Regenerated Cellulose (RC) Frame/Housing Polymer: Polypropylene Color: Transparent Other insert(s): N/A Regulatory Documentation Required: <ul style="list-style-type: none"> <input checked="" type="checkbox"/> Biocompatibility according ISO 10993-1 <input type="checkbox"/> IMDS <input type="checkbox"/> DEHP plasticizer Free and latex free <input checked="" type="checkbox"/> Rohs, Directive 2002/32/CE <input type="checkbox"/> Aging <input checked="" type="checkbox"/> BSE/TSE, directive 2003/32/CE 						

Product PN	FJ13BNPRC002AD01, FJ13BNPRC004AD01, FJ13BNPRC002AH01, FJ13BNPRC004AH01	Mod. 984
Description	13 mm ABLUO Syringe Filters w/Regenerated Cellulose (RC)	Rev. 02

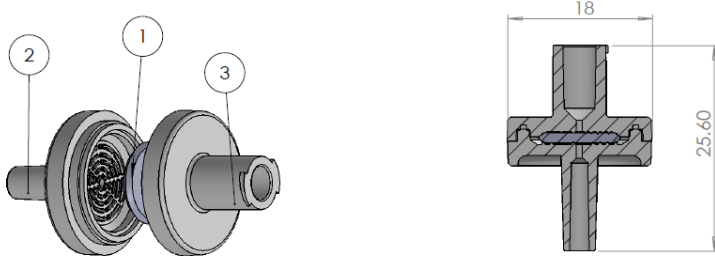
	<input checked="" type="checkbox"/> 1907/2006/CE (hazardous substances regulation) <input type="checkbox"/> Dir. 67/548/CE and Reg. 1272/2008/CE (medical sector dangerous substances) <input checked="" type="checkbox"/> Conflict minerals
--	--

PRODUCT CHARACTERISTIC	Membrane Diameter: 13 mm Effective Filtration Area: 0.76 cm ² Housing Diameter: 18 mm Housing Materials: Polypropylene Inlet / Outlet: FLL / MLS Holdup Volume: <50 microliter Maximum Operating Temperature: PP Abluo - 90°C/194°F, Maximum Operating Pressure: 80 psi Sterile: No
-------------------------------	--

PRODUCT SHELF LIFE	When stored under normal storage conditions, this product should be stable for 5 years
---------------------------	--

STERILIZATION	<input type="checkbox"/> EtO <input type="checkbox"/> Gamma <input type="checkbox"/> Beta <input type="checkbox"/> Steam <input type="checkbox"/> e-beam <input checked="" type="checkbox"/> Not Required
----------------------	--

COMPLIANCE	The Quality management system is in compliance with ISO 9001:2008, ISO/TS 16949:2009
-------------------	--

DRAWING	 <p>1. RC Membrane 2. Male Slip Luer Outlet (ISO 594) 3. Female Luer Lock Inlet (ISO 594)</p> <p>SECTION A-A</p>
----------------	--



PRODUCT SPECIFICATION

Product PN

FJ13BNPRC002AD01, FJ13BNPRC004AD01, FJ13BNPRC002AH01,
FJ13BNPRC004AH01

Mod. 984

Description

13 mm ABLUO Syringe Filters w/Regenerated Cellulose (RC)

Rev. 02

VISUAL REQUIREMENTS

Visual acceptance requirements apply when inspected under below conditions:

Magnification: None
Light type: Standard

Acceptance Requirement		Sampling Plan	
1	Contamination	None	100%
2	Damaged Luer Fitting	None	100%
3	Missing Membrane	None	100%
4	Incomplete Membrane	None	100%
5	Membrane Displacement	None	100%
6	Membrane Protruding Out of Part	None	100%
7	Scuffed Surface	Total length of scuff exceed 2 ribs	100%
8	Cracked Housings	None	100%
9	Weld Flash	None	100%
10	Burn Outside of the Stake Ring	None	100%
11	Embedded Particles	< 0.8 mm ² (Maximum 3 particles)	100%
12	Mold Flash	< 0.2 mm	100%

PERFORMANCE REQUIREMENTS

Acceptance Requirement		Sampling Plan
Pore size	0.20 um 0.45 um	AQL 0.1 Special inspection level S3
Pressure	≥ 80 PSI 10 Seconds ≥ 80 PSI 10 Seconds	ANSI/ASQ Standard Z1.4 - 2008
Min. Bubble point (psi)	45 32	AQL 0.1 Special inspection level S3

This material specification describes the properties of product above indicated.
This document contains general requirements, material description, drawing references, defect specification, biological material requirements.

REVISIONS AND APPROVALS:

